

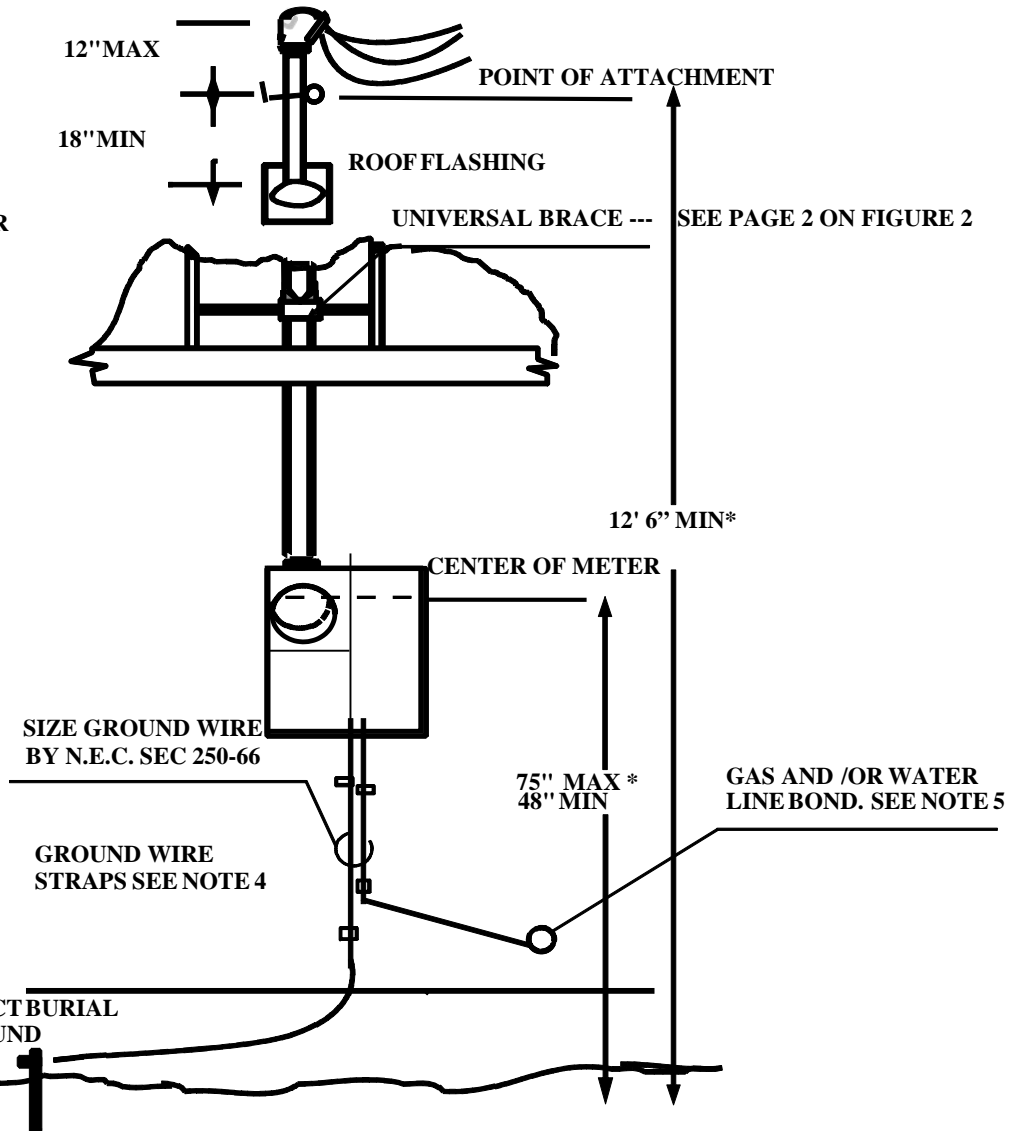
REGULATIONS GOVERNING
OVERHEAD ELECTRIC SERVICE

PINAL COUNTY COMMUNITY DEVELOPMENT DEPARTMENT
 BUILDING SAFETY DIVISION
 P.O. BOX 2973, FLORENCE, AZ. 85132
 31 N. PINAL STREET, BLDG F
 (520) 866-6442 FAX (520) 866-6517
www.pinalcountyz.gov

June 2019

WEATHERHEAD
 SEE NOTE 3

SEE NOTE 1 FOR RISER
 REQUIREMENTS



*** FOR ADDITIONAL INFORMATION, CONTACT THE UTILITY CO. IN YOUR AREA**

NOTES:

1. SERVICE RISER MUST BE GALVANIZED RIGID CONDUIT 1 1/2" FOR 100/ 125 A. AND 2" FOR 200 AMP. *
2. SERVICE CONDUCTORS SIZED ACCORDING TO NEC 2011 TABLE 310.15(B)(7) AND FOOTNOTES. (# 4 COPPER(CU) FOR 100A , #2 CU FOR 125A & # 2/0 CU FOR 200A RESIDENTIAL)*
3. WEATHER HEAD MUST BE MINIMUM OF 24" ABOVE ROOF. POINT OF ATTACHMENT MORE THAN 30" ABOVE ROOF REQUIRES A BACK BRACE. (20" FOR 1 1/2") SEE PAGE 2. *
4. GROUND WIRE MUST BE FASTENED TO STRUCTURE A MINIMUM OF 18" APART.
5. BOND METAL WATER PIPING WITH SAME SIZE WIRE AS GROUND WIRE. BOND GAS LINE, IF ANY, WITH WIRE SIZED ACCORDING TO NEC TABLE 250.122. GAS LINE AND METER MUST BE 36" OR MORE FROM A VERTICAL PLANE AT CLOSEST EDGE OF ELECTRICAL SERVICE. *
6. SERVICE DROP MUST NOT BE CLOSER THAN 8' TO ROOF, EXCEPT WHERE CROSSING OVER HANG TO MAKE ATTACHMENT AT RISER, THEN SERVICE DROP MUST BE AT LEAST 18" ABOVE ROOF.

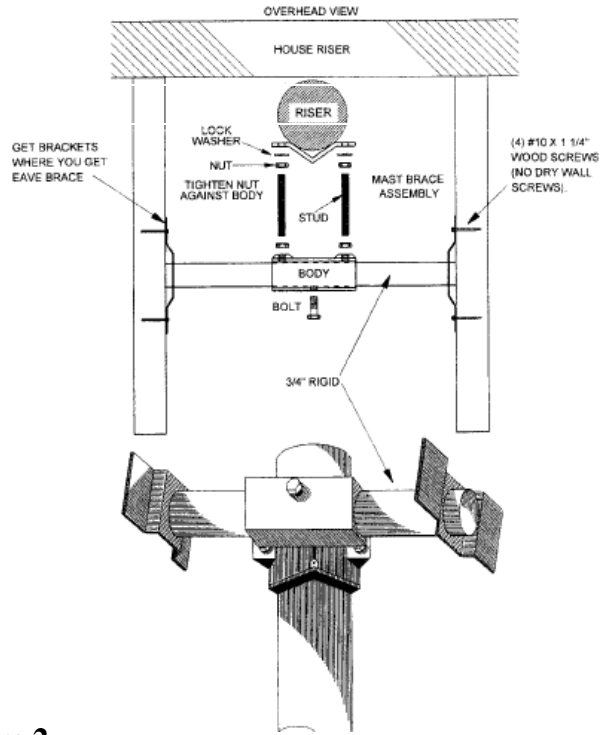
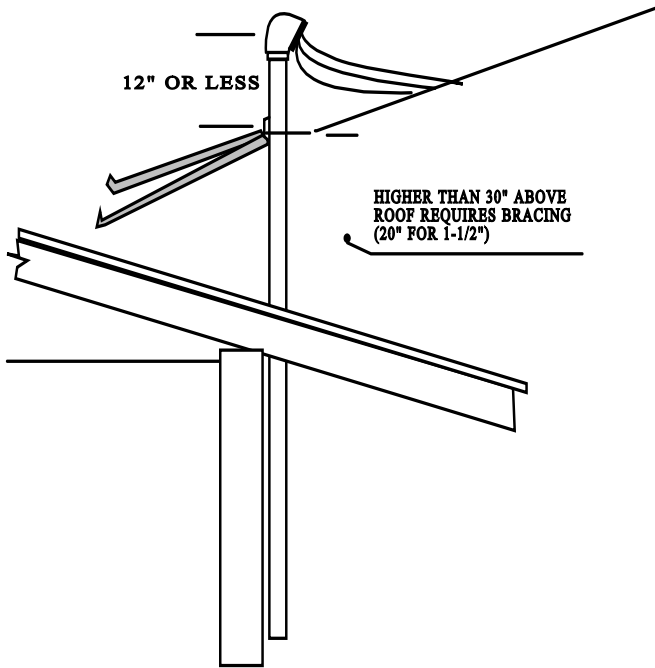


Figure 2

Risers that are to be braced shall be braced against the pull of the service drop conductors. Bracing shall consist of two galvanized steel members installed at approximately a 90 degree spread. Minimum size braces shall be 3/4" rigid galvanized steel pipe or 1-1/2" x 1-1/2" x 1/8" galvanized steel angle.

EXCEPTION: Residential Only.... 3/4" galvanized tubing (EMT) may be used for braces if used to pull against the load as shown in figure 2 and 4. Push braces must be galvanized rigid steel as listed above.

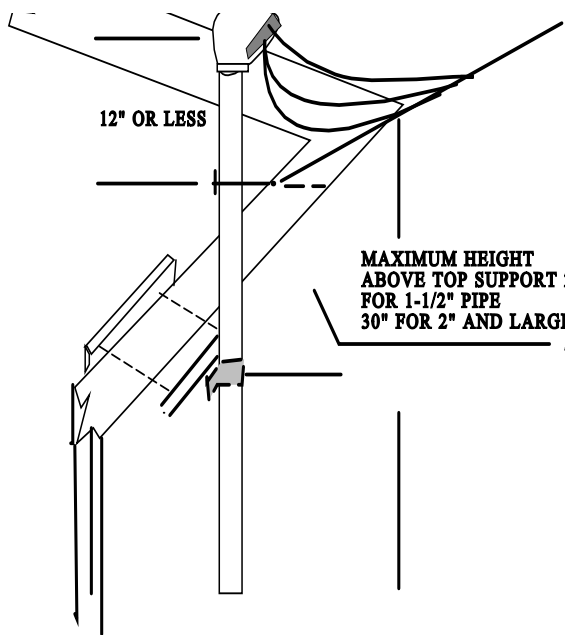


FIGURE 3 FLAT ROOF

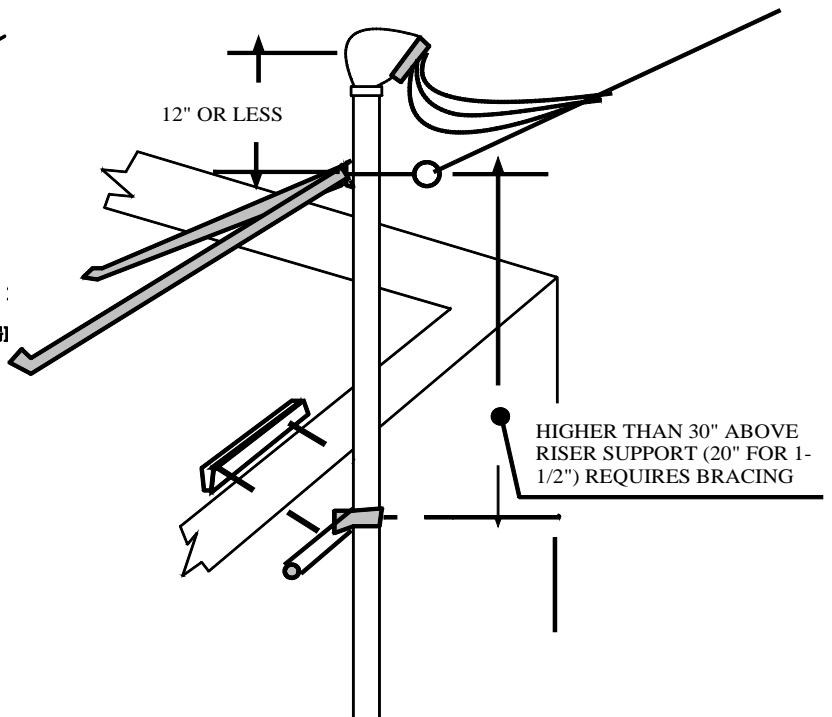


FIGURE 4 FLAT ROOF