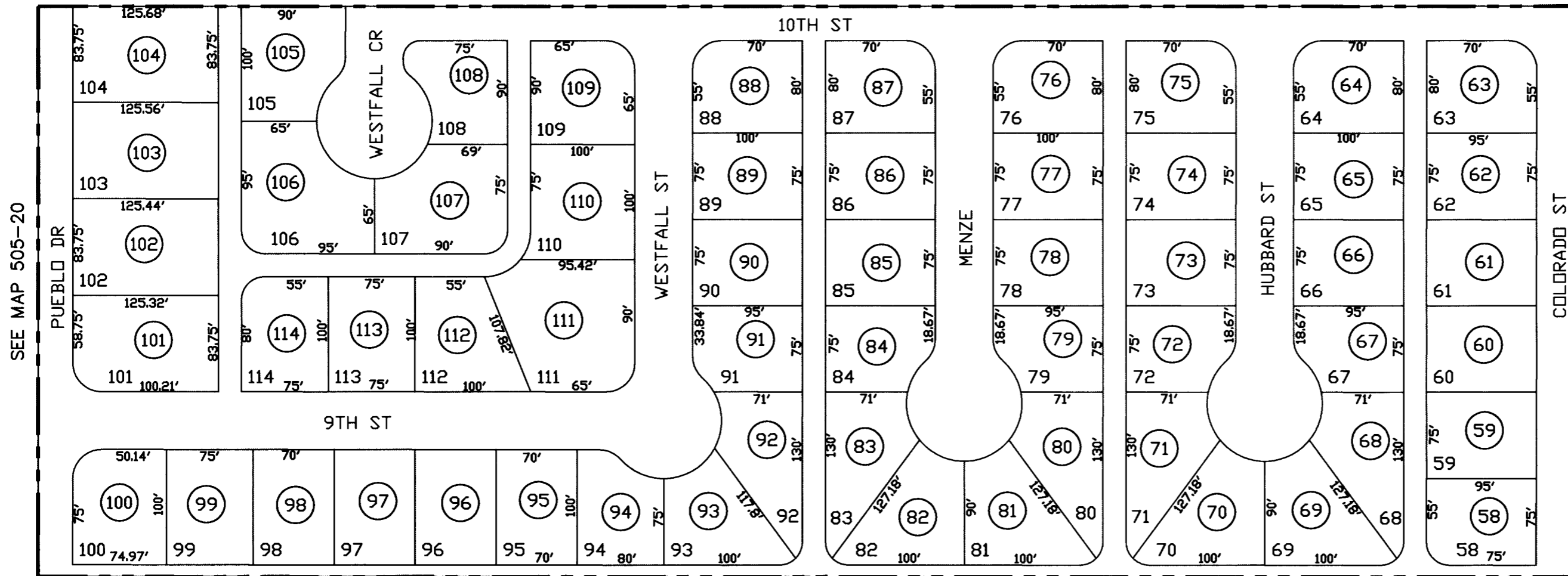


SEE MAP 505-42



SEE MAP 505-20

SEE MAP 505-16

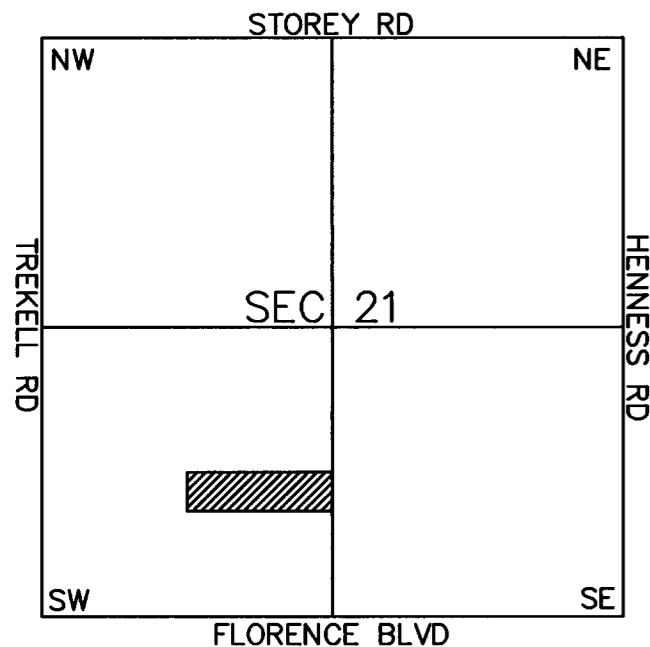
EXECUTIVE ESTATES  
UNIT 02

BK 16 - PG 055



SEE MAP 505-20

VICINITY MAP



THIS MAP IS FOR TAX PURPOSES ONLY.  
THIS OFFICE WILL NOT ASSUME LIABILITY FOR  
REPRESENTATION, MEASUREMENTS OR ACREAGE.

THE ORIGINAL PLAT OF THIS SUBDIVISION IS  
ON FILE WITH THE PINAL COUNTY RECORDERS  
OFFICE, FOR COMPLETE INFORMATION OF PLAT  
AND CC&R's CALL (520) 868-7100.

AREA CODE  
0000

SPECIAL DISTRICTS  
00000  
00000

SCALE: 1" = 100'

03-28-2003